

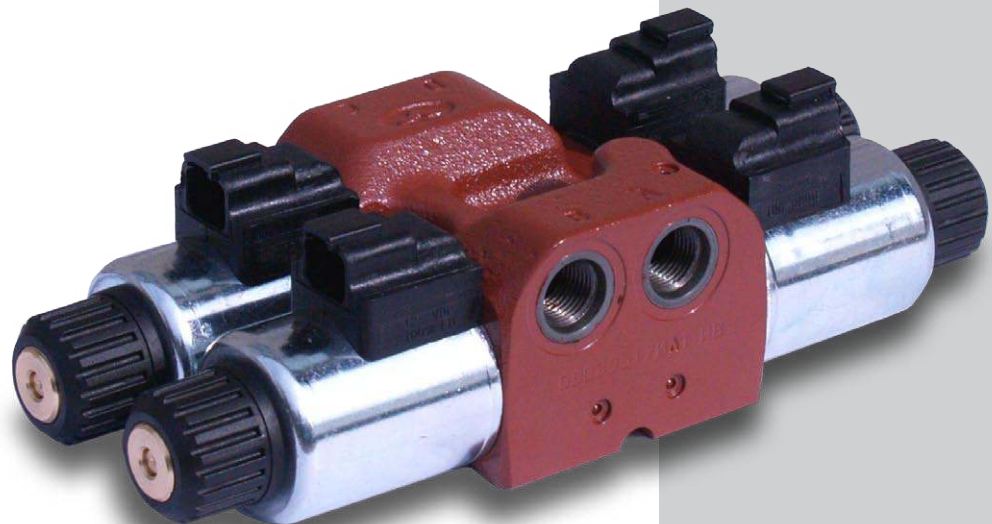
NEW

DFE085

Diverter valve



**A simple and compact
solution for mobile applications**



DFE085 Diverter valve



- On/off control
- Special body realized to be mounted in line
- Configuration with double spool for different hydraulic circuits
- Spool mechanical detent in working position (safety in case of electric supply interruption)
- Limited leakages
- Particularity indicated for the selection of steering conditions

Walvoil is pleased to present the new diverter valve DFE085 used in mobile applications.

Working conditions

Max. flow	25 l/min-6.6 US gpm	
Max. pressure	210 bar-3045 psi	
Fluid	Mineral based oil	
Viscosity	<i>min.</i>	12 cSt
	<i>max.</i>	400 cSt
Seals	NBR	
Fluid temperature	from -20° to 80° C from -4°F to 176°F	
Ambient temperature with NBR seals	from -40° to 60° C from -40°F to 140° F	
Max. contamination level	-/19/16 ISO4406	
Nominal tension	12 VDC - 24 VDC ±10%	
Nominal power	38 W	
Insertion	100%	

Note: as concerns tensions of supply both in VDC and in VAC and regarding types of connectors, please contact Walvoil customer service.

Standard threads – reference standard

	BSP	UN-UNF	METRIC	METRIC (ISO)
THREAD ACCORDING TO	ISO 228/1	ISO 263	ISO 262	ISO 262
	BS 2779	ANSI B1.1 unified		
CAVITY ACCORDING TO	ISO 1179	11926	9974-1	6149
	SAE	J1926		J2244
	DIN 3852-2 shape X or Y		3852-1 shape X or Y	

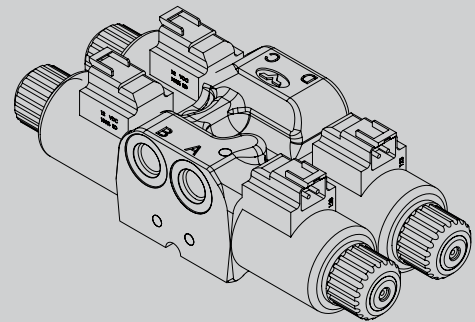
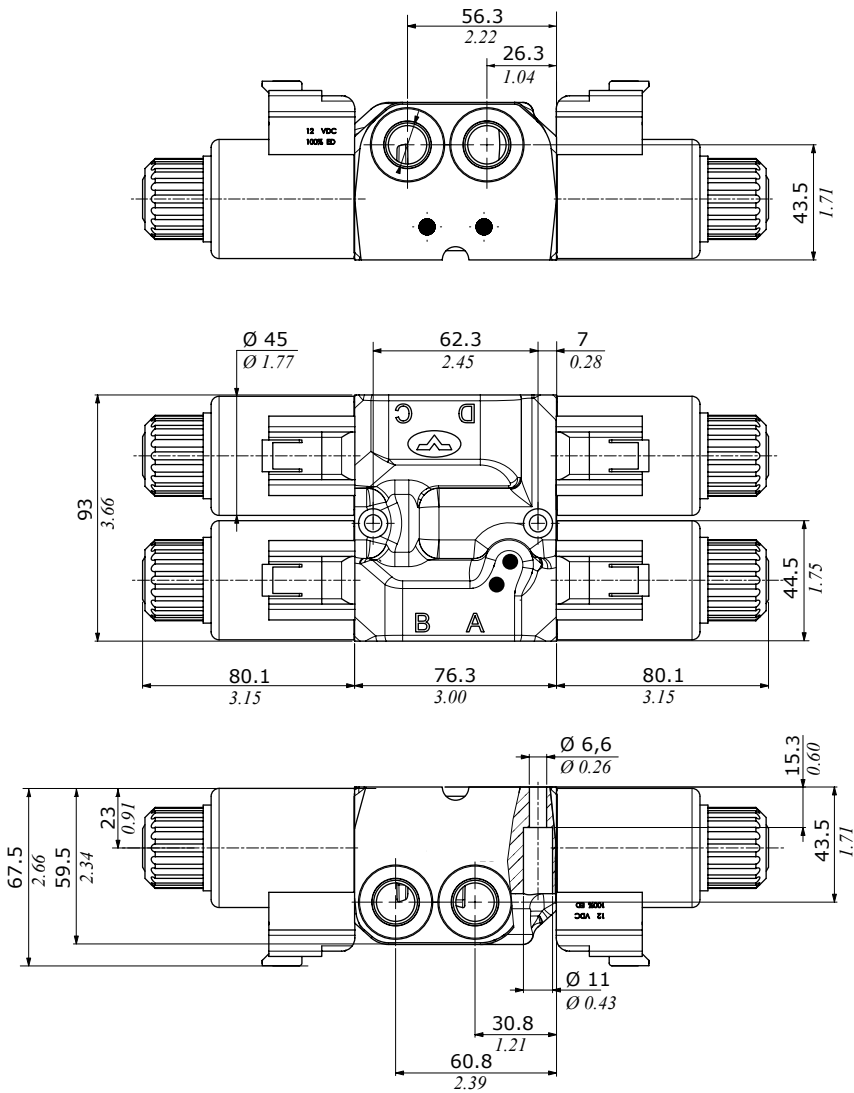
Ports

MAIN	BSP	UN-UNF	METRIC
Ports	G 3/8	3/4-16 (SAE8)	M16x1.5

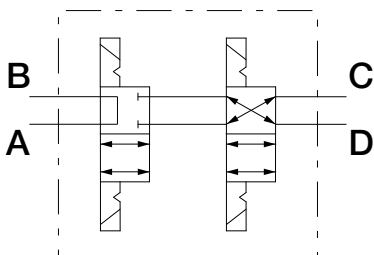


NEW

Dimensions



Hydraulic circuit



Features

This product allows the machine to steer in the following 3 ways:

- 1) only front wheels
- 2) front and back with parallel wheels (crab)
- 3) front and back with wheels not in parallel (4 guides).

The arrangement of spools mechanical detent in working position guarantees high safety in case of electric supply interruption. The moderate leakages guarantee a high performance in every working condition.

Applications

The new diverter valve DFE085 can be used in many mobile applications: telescopic handlers, aerial platforms, wheeled excavators, skid steer loaders, wheel loaders, backhoe loaders.

Configurations and options

The double spool configuration permits a high flexibility in realizing the hydraulic circuits requested in the different applications. Available with different threads and wide range of voltage supplies.